

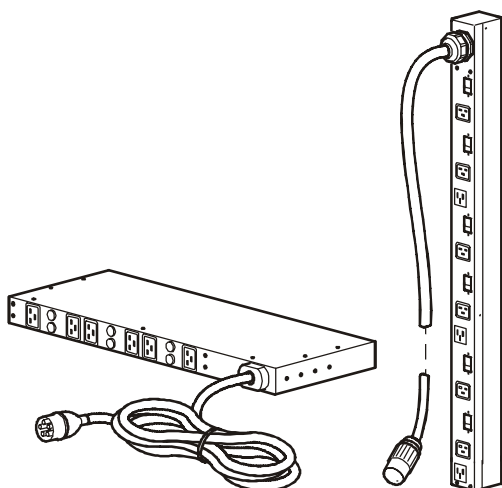


**Synergy Global Technology Inc**

*www.RackmountMart.com*

# Installation

## Basic Rack Power Distribution Unit for Blade Servers



# Contents

---

|  |          |
|--|----------|
| <b>Preliminary Information</b> . . . . .     | <b>1</b> |
| Features . . . . .                           | 1        |
| Receiving inspection . . . . .               | 1        |
| Please recycle . . . . .                     | 1        |
| <b>How to Install the Rack PDU</b> . . . . . | <b>2</b> |
| Attach the cord retention tray . . . . .     | 2        |
| Attach cords to the tray . . . . .           | 2        |
| Mounting options . . . . .                   | 3        |
| Toolless mounting . . . . .                  | 3        |
| Bracket mounting . . . . .                   | 4        |

# Preliminary Information

## Features

This booklet provides information on installing and operating Basic Rack PDU.

## Receiving inspection

Inspect the package and contents for shipping damage, and make sure that all parts were sent. Report any damage immediately to the shipping agent, and report missing contents, damage, or other problems immediately to us.

## Please recycle

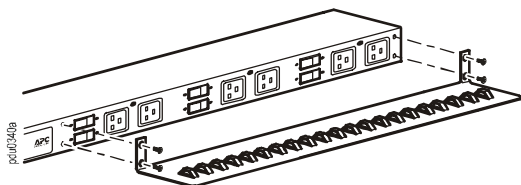


The shipping materials are recyclable. Please save them for later use, or dispose of them appropriately.

# How to Install the Rack PDU

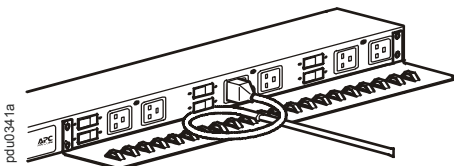
## Attach the cord retention tray

Attach the cord retention tray to the Rack PDU, using four flat-head screws (provided).



## Attach cords to the tray

Attach a cord to the tray by looping the cord and securing it to the tray, using a wire tie (provided).



**Note.** When you secure the cord to the tray, ensure that you can unplug the cord from the Rack PDU without removing the wire tie.



**Note.** When installing the Rack PDU, ensure that the power cord plug is accessible and that it is connected to a grounded outlet.

You can mount four Rack PDUs on one side of the enclosure by using the toolless mounting method.

## Mounting options

You can install the vertical 0-U Rack PDU in one of two ways: using toolless mounting pegs (provided) or mounting brackets (provided). The 1-U horizontal Rack PDU must be mounted using the horizontal mounting brackets (provided).

### Vertical mounting.

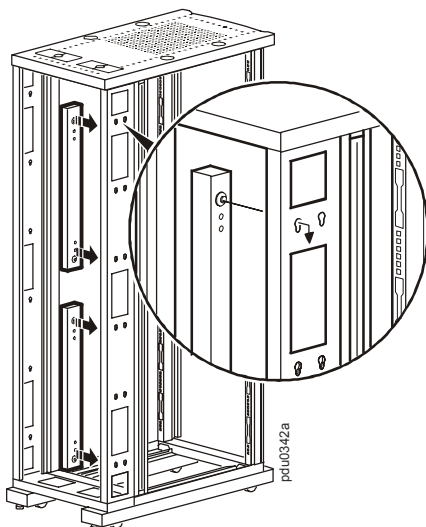
- To install the Rack PDU using the toolless mounting method, install it in the rear of the NetShelter® VX or SX Enclosure, in the cable channel directly behind the rear vertical mounting rails.
- To install the Rack PDU using the mounting brackets, install it on a vertical mounting rail on your rack or enclosure.

### Horizontal mounting.

To install the Rack PDU using the horizontal mounting brackets, install the brackets on the Rack PDU and then attach the brackets to the rack using caged nuts (provided with your enclosure).

### Toolless mounting

1. Slide both mounting pegs into the holes located in the channel in the rear panel of the enclosure.
2. Snap the Rack PDU into place by pushing it downward until it locks into position.



**Note.** You can mount four Rack PDUs on one side of the enclosure by using the toolless mounting method.

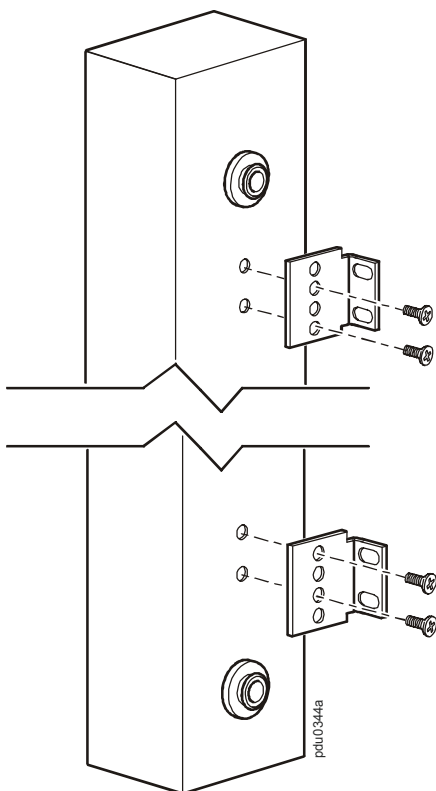
## Bracket mounting

**Vertical mounting.** To mount the Rack PDU vertically in a NetShelter or any standard EIA-310 rack or enclosure:

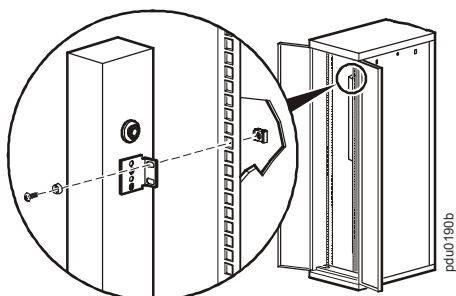
1. Attach the vertical-mounting brackets to the Rack PDU.



**Caution.** Use only the supplied screws.



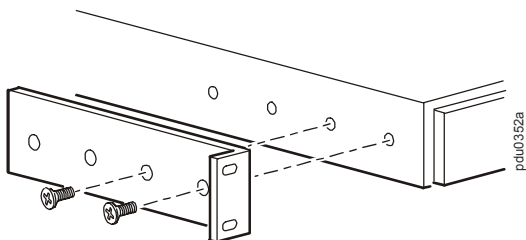
1. Install the Rack PDU on a vertical mounting rail in your rack or enclosure using the supplied screws and caged nuts.



**Note.** You can mount two Rack PDUs on one side of the enclosure by using the vertical mounting brackets.

**Horizontal mounting.** You can mount the Rack PDU in a 19-inch NetShelter enclosure or other EIA-310-D standard 19-inch rack.

1. Choose a mounting position for the Rack PDU with either the display or the rear facing out of the enclosure.
2. Attach the mounting brackets to the Rack PDU, using the flat-head screws (provided).

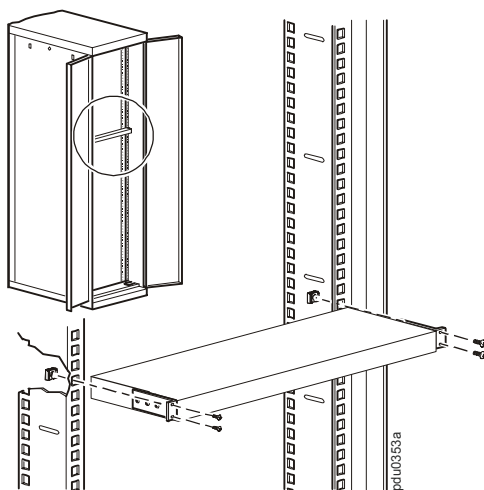


3. Choose a location for the unit:



**Note.** The unit occupies one U-space. A notched hole on the enclosure's vertical rail indicates the middle of a U-space

- a. Insert a caged nut (provided with the enclosure) above and below a notched hole on each vertical mounting rail in your chosen location.
- b. Align the mounting holes of the brackets with the installed caged nuts. Insert and tighten screws.



**Recessed horizontal mounting.** You can mount the Rack PDU in a recessed configuration by attaching the brackets in alternate positions on the PDU, as shown below.

